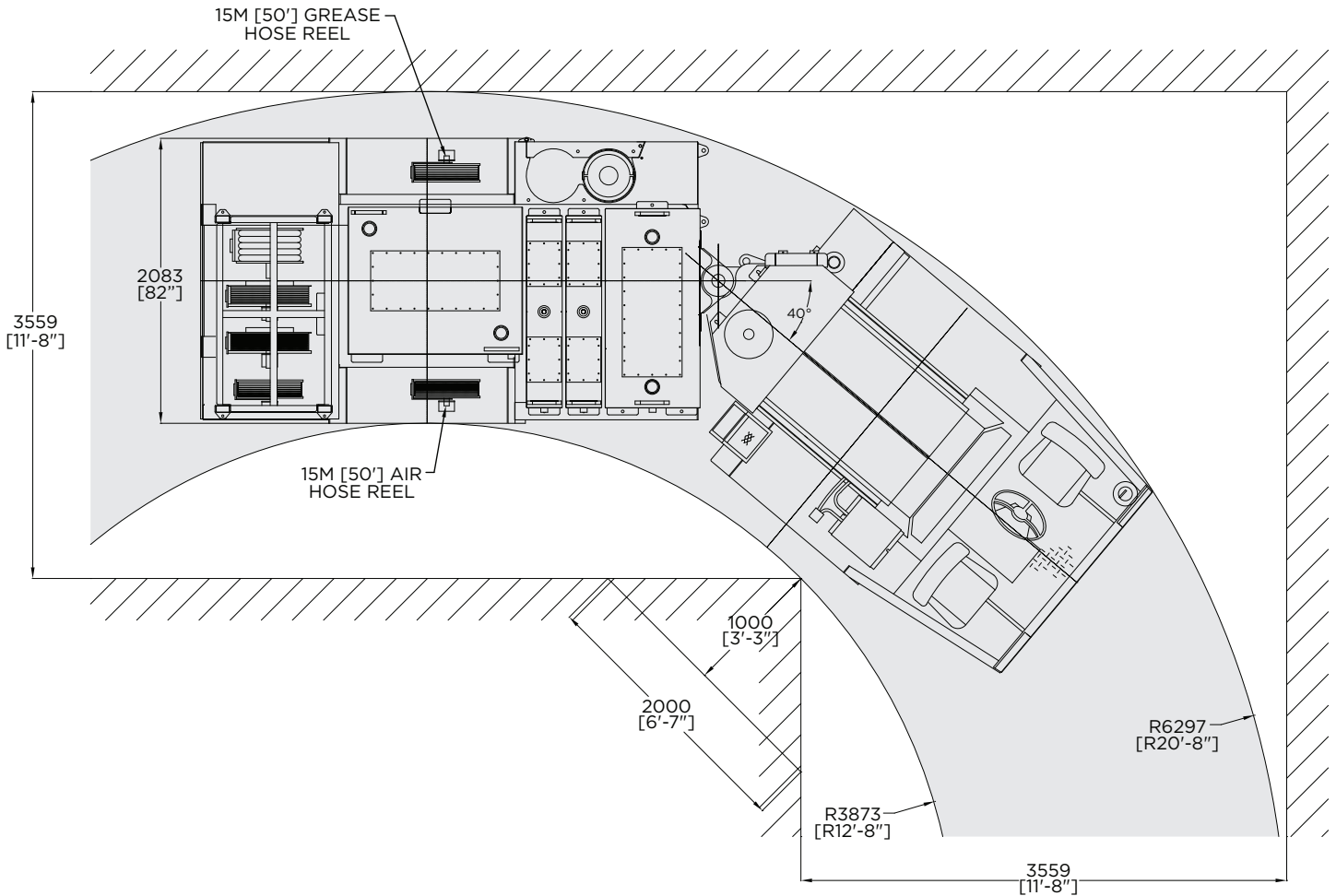
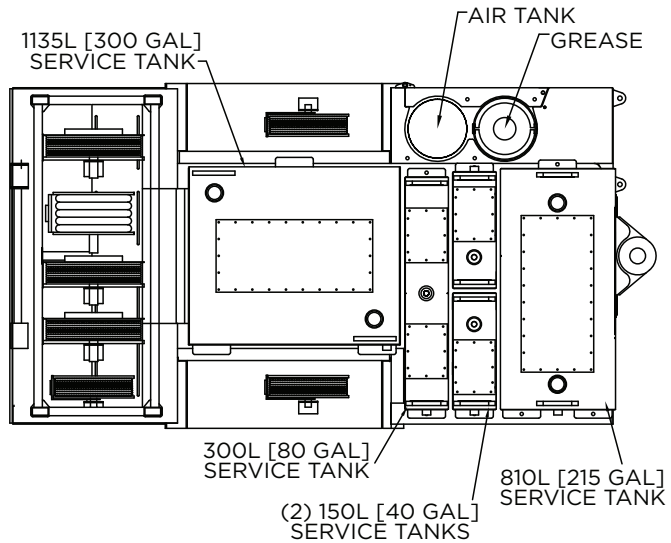


Machine Length	7215 mm	284 in
Wheelbase Length	3658 mm	144 in
Ground Clearance	311 mm	12.25 in
Machine Height	2292 mm	90 in

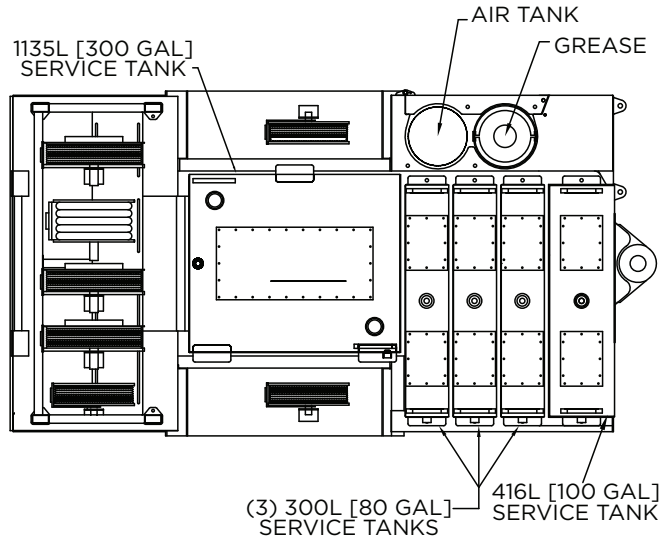


Machine Width	2083 mm	82 in
Inner Turning Radius	3873 mm	152 in
Outer Turning Radius	6297 mm	248 in

ALTERNATE
 CONFIGURATION #1
 (5) TANK LAYOUT



ALTERNATE
 CONFIGURATION #2
 (5) TANK LAYOUT



This document shall be considered informational only. All values stated herein are theoretical in nature. Getman reserves the right to make changes to the specification herein at any time and without further notification.