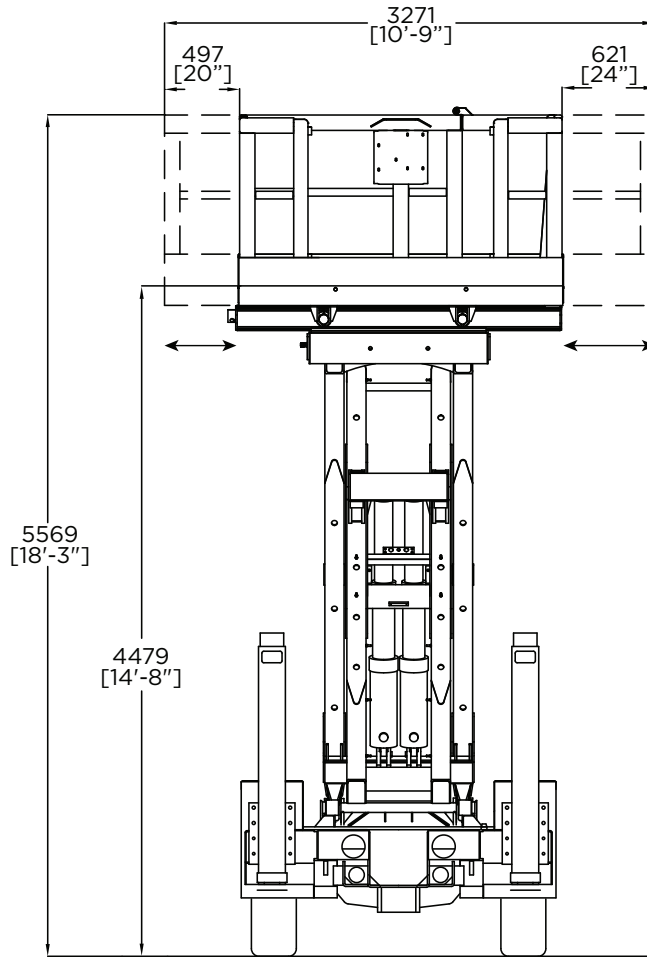
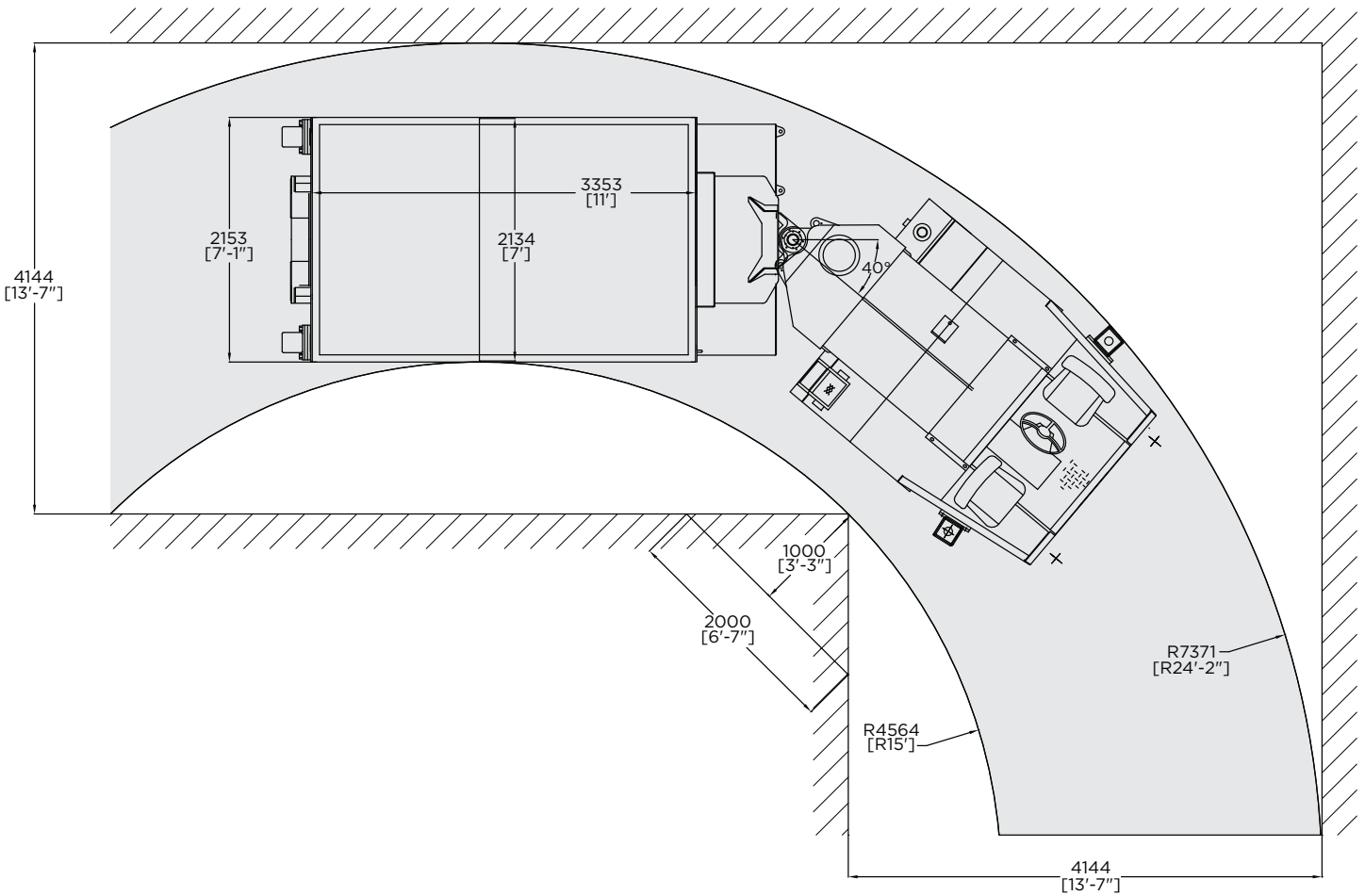


Machine Length	791 mm	311 in
Wheelbase Length	4268 mm	192 in
Ground Clearance	311 mm	12.25 in
Machine Height (Canopy)	2292 mm	90 in
Machine Height (Top of Platform)	2771 mm	109 in



Extended Platform Height	5569 mm	219 in
Extended Platform Floor Height	4479 mm	176 in
Horizontal Platform Shift (Driver Side)	497 mm	20 in
Horizontal Platform Shift (Passenger Side)	621 mm	24 in
Total Horizontal Platform Coverage	3271 mm	129 in



Machine Width	2153 mm	85 in
Platform Width (Inner)	2134 mm	84 in
Platform Length (Inner)	3353 mm	132 in
Inner Turning Radius	4564 mm	180 in
Outer Turning Radius	7371 mm	290 in

This document shall be considered informational only. All values stated herein are theoretical in nature. Getman reserves the right to make changes to the specification herein at any time and without further notification.