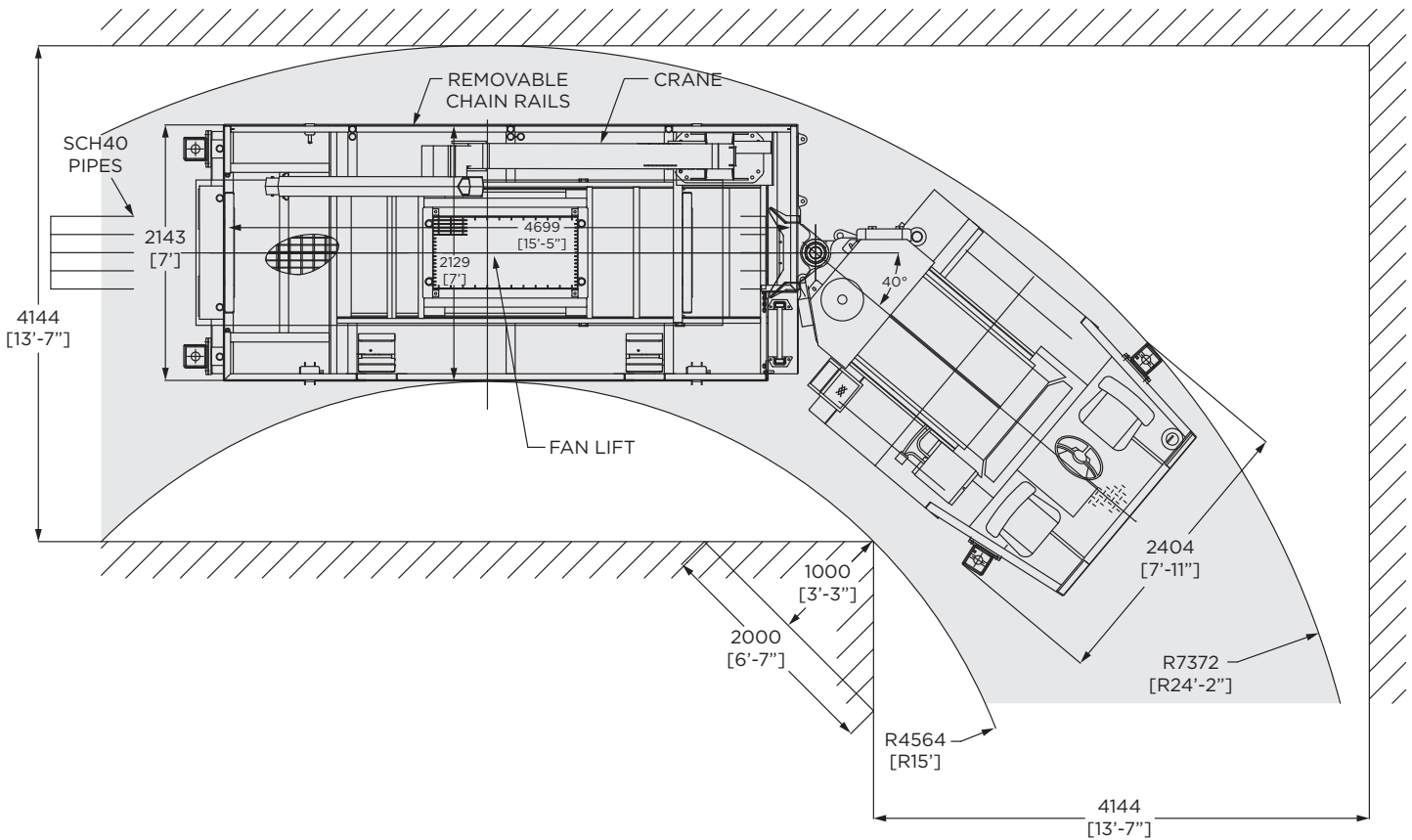
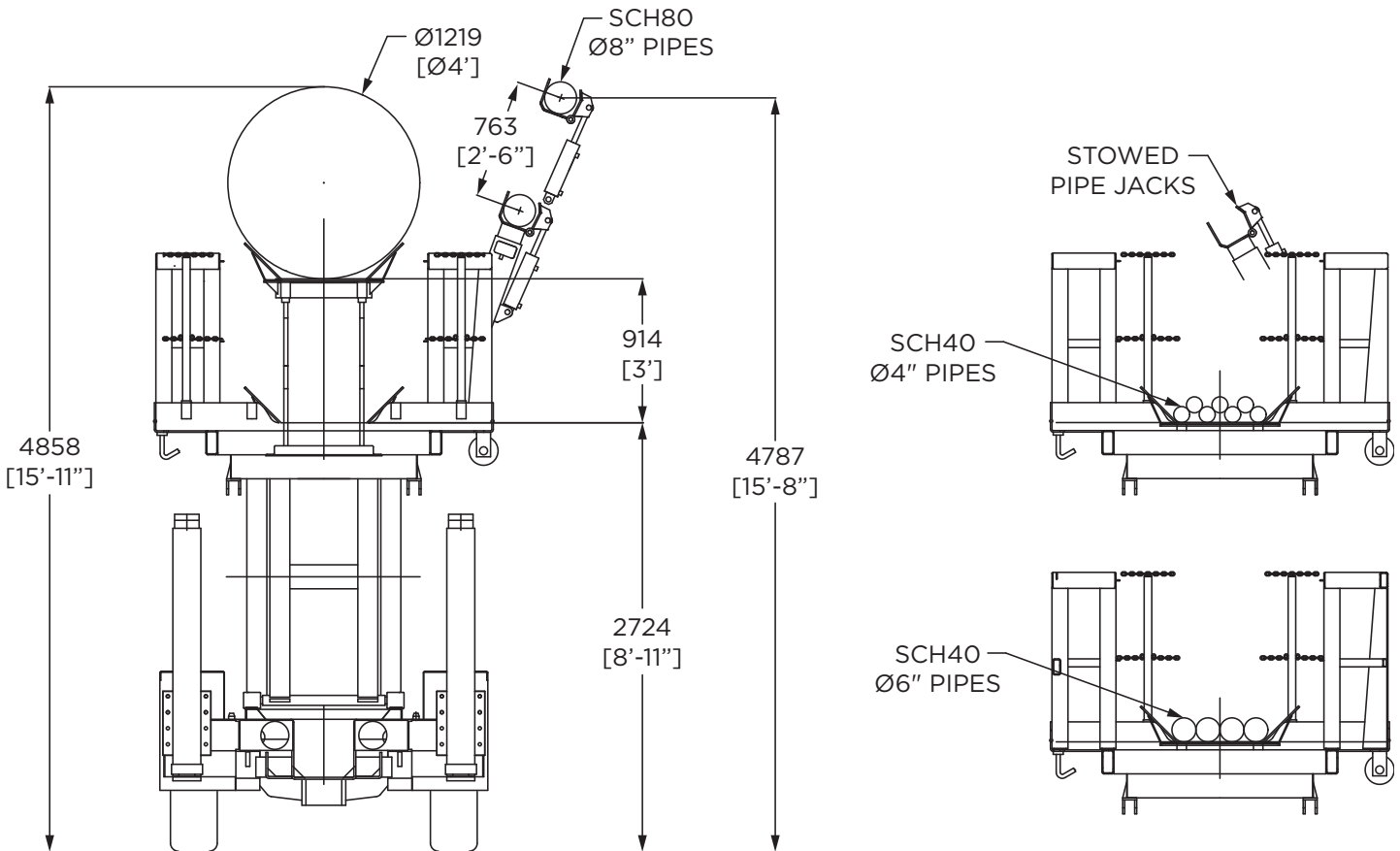


Machine Length	8729 mm	344 in
Wheelbase Length	4267 mm	192 in
Ground Clearance	311 mm	12.25 in
Machine Height (Canopy)	2292 mm	90 in
Machine Height (Top of Platform)	2868 mm	113 in



Machine Width	2143 mm	84 in
Machine Width (with Side Stabilizers)	2404 mm	95 in
Platform Width (Inner)	2129 mm	84 in
Platform Length (Inner)	4699 mm	185 in
Inner Turning Radius	4564 mm	180 in
Outer Turning Radius	7372 mm	290 in
Boom Swing Radius (Fully Extended)	4445 mm	175 in



This document shall be considered informational only. All values stated herein are theoretical in nature. Getman reserves the right to make changes to the specification herein at any time and without further notification.