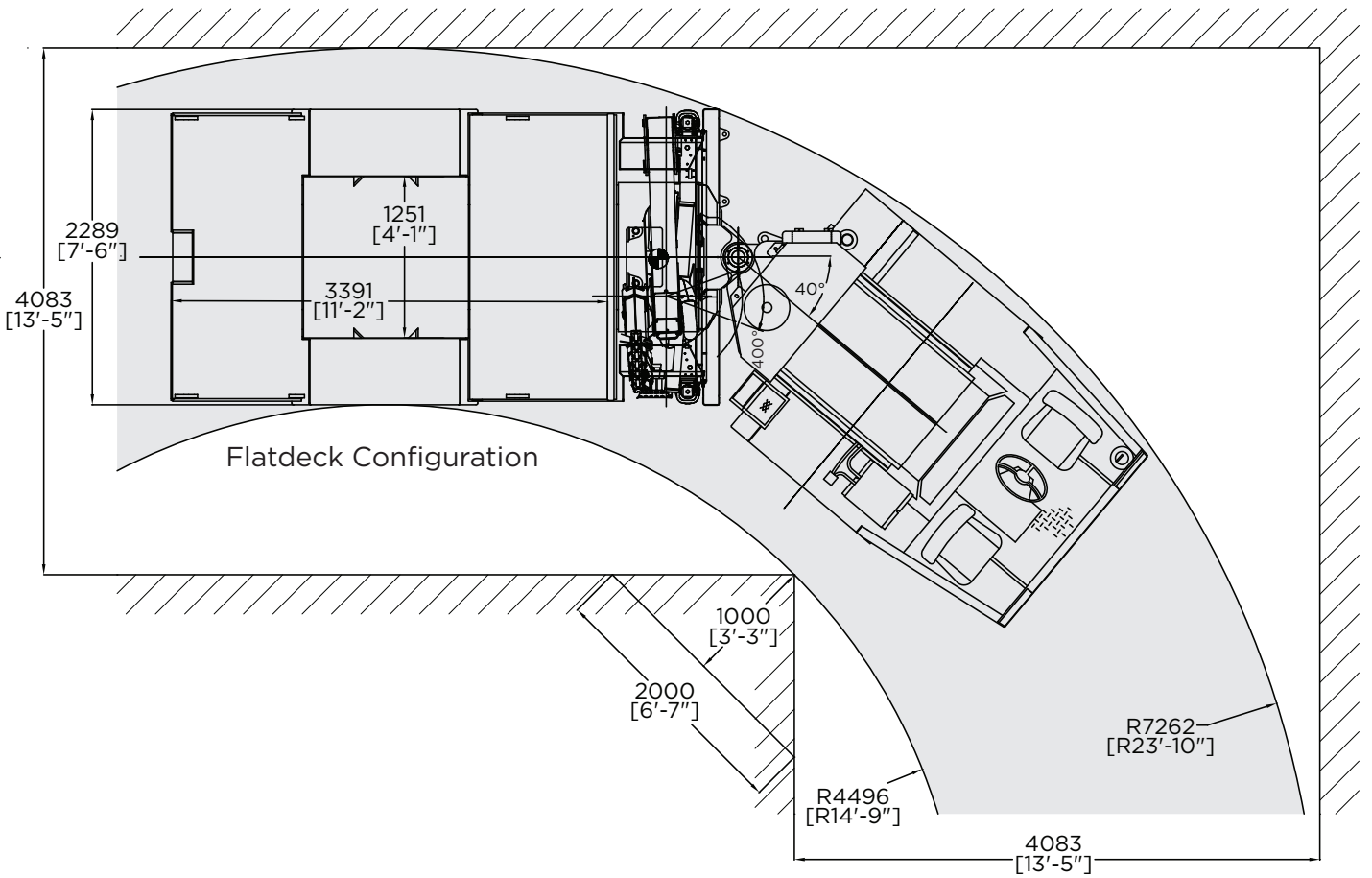
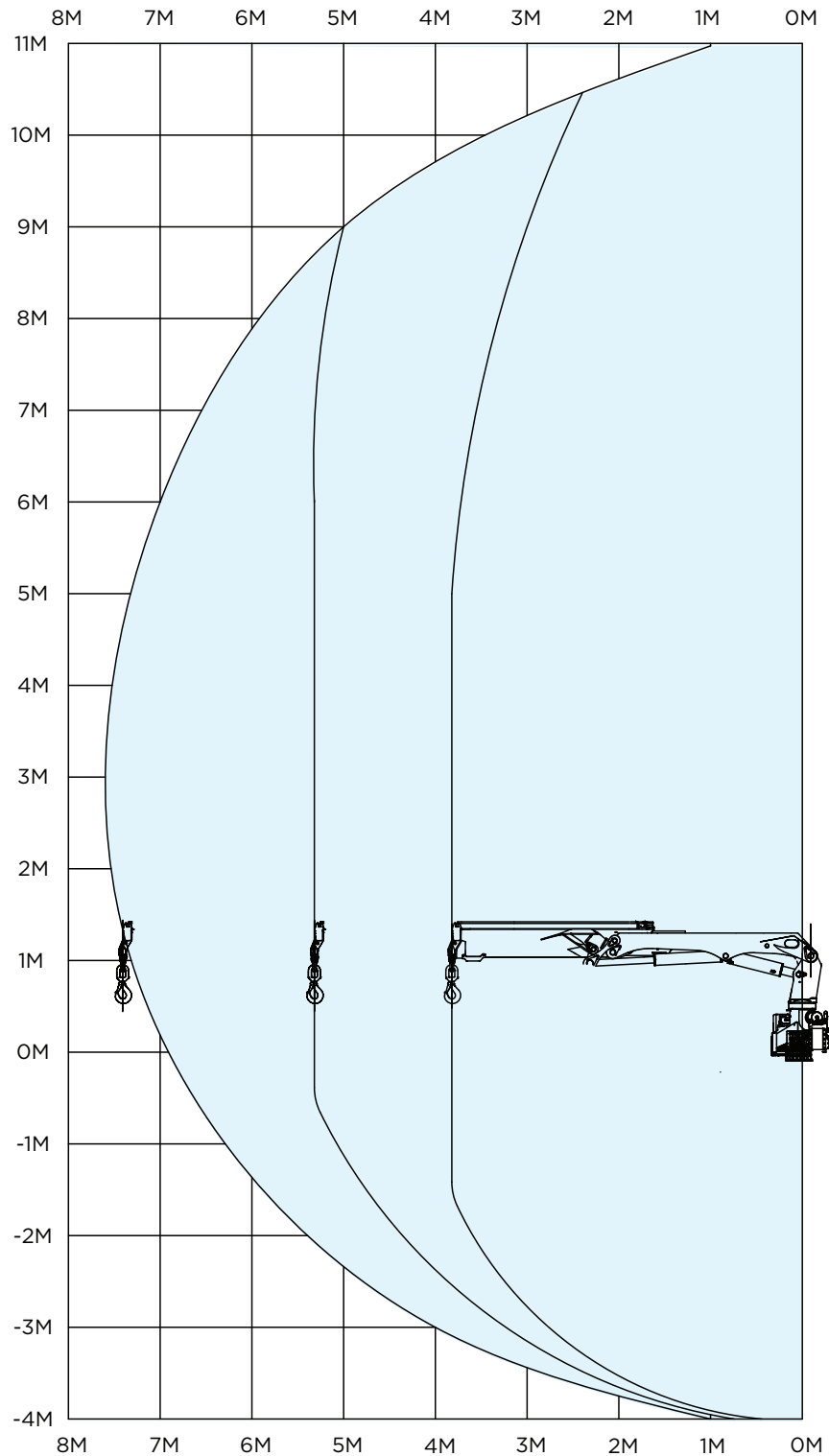


|                         |         |          |
|-------------------------|---------|----------|
| Machine Length          | 7831 mm | 308 in   |
| Wheelbase Length        | 4267 mm | 168 in   |
| Ground Clearance        | 311 mm  | 12.25 in |
| Machine Height          | 2292 mm | 90 in    |
| Deck Height             | 848 mm  | 33 in    |
| Maximum Crane Extension | 7543 mm | 297 in   |



|                      |         |        |
|----------------------|---------|--------|
| Machine Width        | 2289 mm | 90 in  |
| Inner Turning Radius | 4496 mm | 177 in |
| Outer Turning Radius | 7262 mm | 286 in |



*This document shall be considered informational only. All values stated herein are theoretical in nature. Getman reserves the right to make changes to the specification herein at any time and without further notification.*