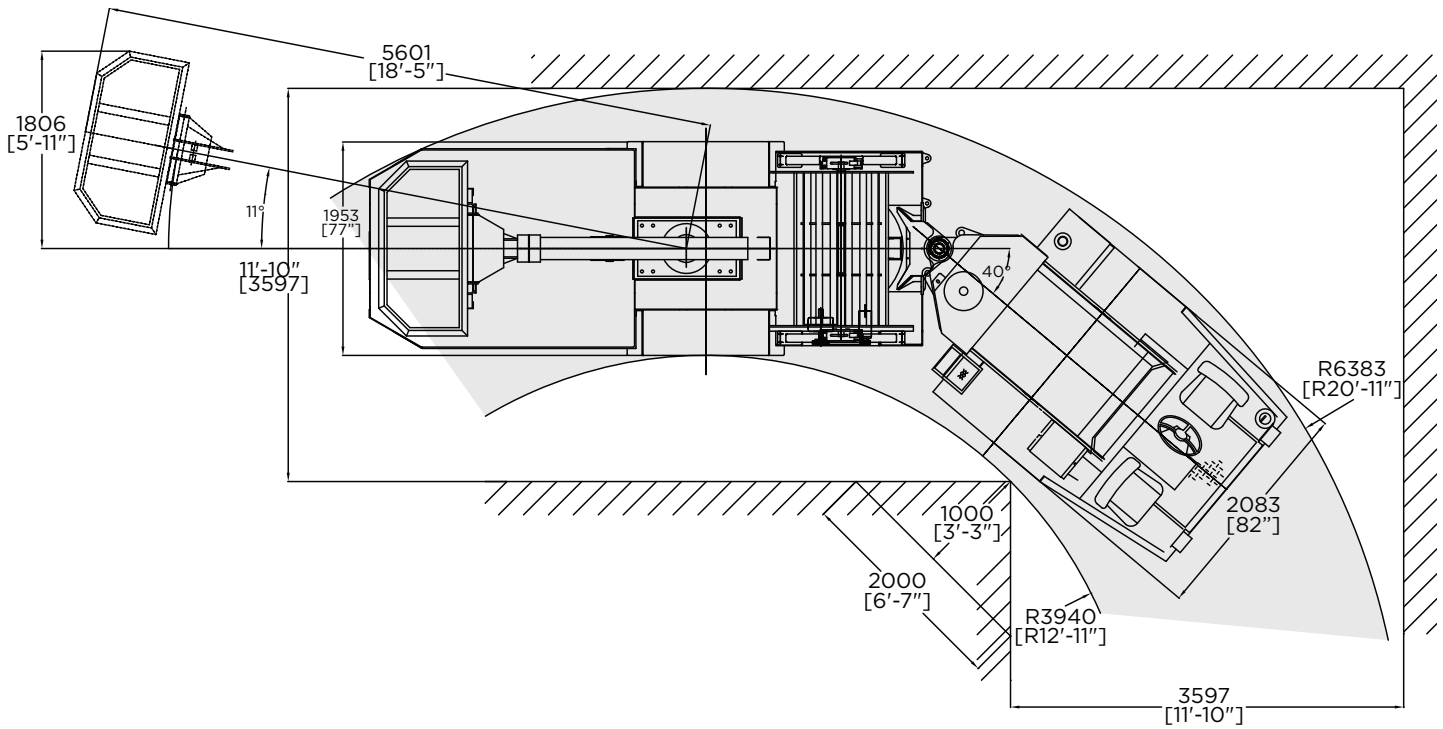


Machine Length	8720 mm	343 in
Wheelbase Length	3658 mm	144 in
Ground Clearance	283 mm	11.125 in
Machine Height	2270 mm	89 in



Machine Width	2083 mm	82 in
Inner Turning Radius	3940 mm	155 in
Outer Turning Radius	6383 mm	251 in

*This document shall be considered informational only. All values stated herein are theoretical in nature. Getman reserves the right to make changes to the specification herein at any time and without further notification.*