



*Getman road graders are purpose-built for operation in low profile underground mining environments, and designed for operating heights between 54 inches and 71 inches. The four wheel drive unit employs a full grader blade that can be used for grading, ditching and material moving. It can also be equipped with an optional front push blade or rear scarifier depending on specific operational needs.*

*Getman's Road Builder can be outfitted for operation in underground coal mining or lower profile underground hard rock mining, and comes available with multiple cabin options for use in a variety of underground environments. Multiple camera options are available for improved sight lines, while a variety of tire and cabin configurations are available for operating at different overall heights.*

*Road Builder models protect worker safety through features such as a MSHA certified operator compartment that is calculated to meet ROPS/FOPS requirements, as well as matte-black painted surfaces to minimize glaring in underground environments.*

## Technical Specifications

### Engine

- EPA Tier III approved Mercedes Benz OM904 4-cylinder engine, 129 kW (173 hp) @ 2200 rpm
- Liquid-cooled, turbocharged
- 227 L (60 gal) fuel tank with self-closing cap

### Exhaust System

- Catalytic exhaust conditioner and silencer
- DPF exhaust and silencer (for coal applications)
  - › Mann+Hummel SMF package
  - › Cleanair soot filter package
  - › Chiller dry exhaust DPM package
  - › ECS S18 Combifilter package with heat blanket

### Transmission

- Funk 2000 powershift transmission
- Four speeds forward and reverse

### Axles

- Double reduction, four wheel drive bogie axle
- Front axle with 32° oscillation, 18° wheel lean and 50° wheel turn

### Tires

- Mine service tires
  - › 10.00x20-16pr pneumatic
  - › 12.00x20-28pr pneumatic
  - › 12.00x20-28pr foam-filled

### Brake System

- Hydraulic actuated wet disc brakes on each side of bogie axle
- Spring applied, hydraulic pressure release wet disc supplemental and park brake
- Automatic secondary brake application upon hand brake application, or loss of brake accumulator pressure, transmission pressure or electrical power
- Manual secondary brake application to activate the driveline disc brake and spring applied internal wet disc brakes mounted in the drive axle
- Hand-pump emergency park brake tow release package

### Steering

- Electric stick controlled articulated frame and front axle steering
- Heavy-duty, tapered roller bearings
- Two double-acting steer cylinders with replaceable bushings in cylinders and frame ears
- 30° articulation each direction

### Hydraulic System

- Hot side/cold side engine layout
- Hydraulic hoses routed to cold side of engine
- Closed center hydraulic circuits with piston hydraulic pumps
- Diagnostic test ports with quick couple fittings for: each axle, service brake application pressure, and hydraulic pumps
- 10-micron in-line filter
- 94 L (25 gal) hydraulic reservoir

### Operator Compartment

- Three-point contact for entry and exit
- ROPS/ROPS calculated compartment
  - › Enclosed cabin with heater
  - › Enclosed cabin with heater and air conditioner
- Mechanical suspension operator seat
- Retractable lap seat belt

### Instrumentation

- Engine and transmission gauges
- Engine temperature
- Engine oil pressure
- Voltmeter
- Hour meter
- Tachometer
- Transmission clutch pressure
- Converter temperature
- Brake accumulator pressure gauge
- Brake accumulator low-pressure warning
- Park brake applied warning light
- Automatic shutdown for high engine temperature
- Automatic shutdown for low engine pressure
- Automatic shutdown on fire suppression activation
- Remote camera package with two color CCD low-light cameras and one LCD monitor

### Electrical System

- 24 V, 100 A alternator
- Lockable electrical master switch (lockout)
- Maintenance-free 12 V batteries
- MCI 50 W lights: two front headlights, two rear headlights, two blade working lights
- Sealed and oil resistant wiring
- Fully sealed connectors
- Fully sealed electrical boxes

### Other General Equipment

- Variable audio backup alarm (87-112dBA)
- 4.5 kg (10 lb) fire extinguisher
- Wheel chocks
- Six nozzle Ansul Checkfire automatic actuation fire suppression system with linear detection loop

### Optional Equipment

- Lincoln auto-lubrication package



## **Road Grading System\***

### **Grader Setup**

- Wear-resistant, high-carbon steel moldboard with hydraulic side shifting 20.6 in left, 26 in right, and hydraulic fore/aft tilt 29°/3°
- Drawbar and full circle with hydraulic drive worm gear with slip clutch, and 30° angle adjustment

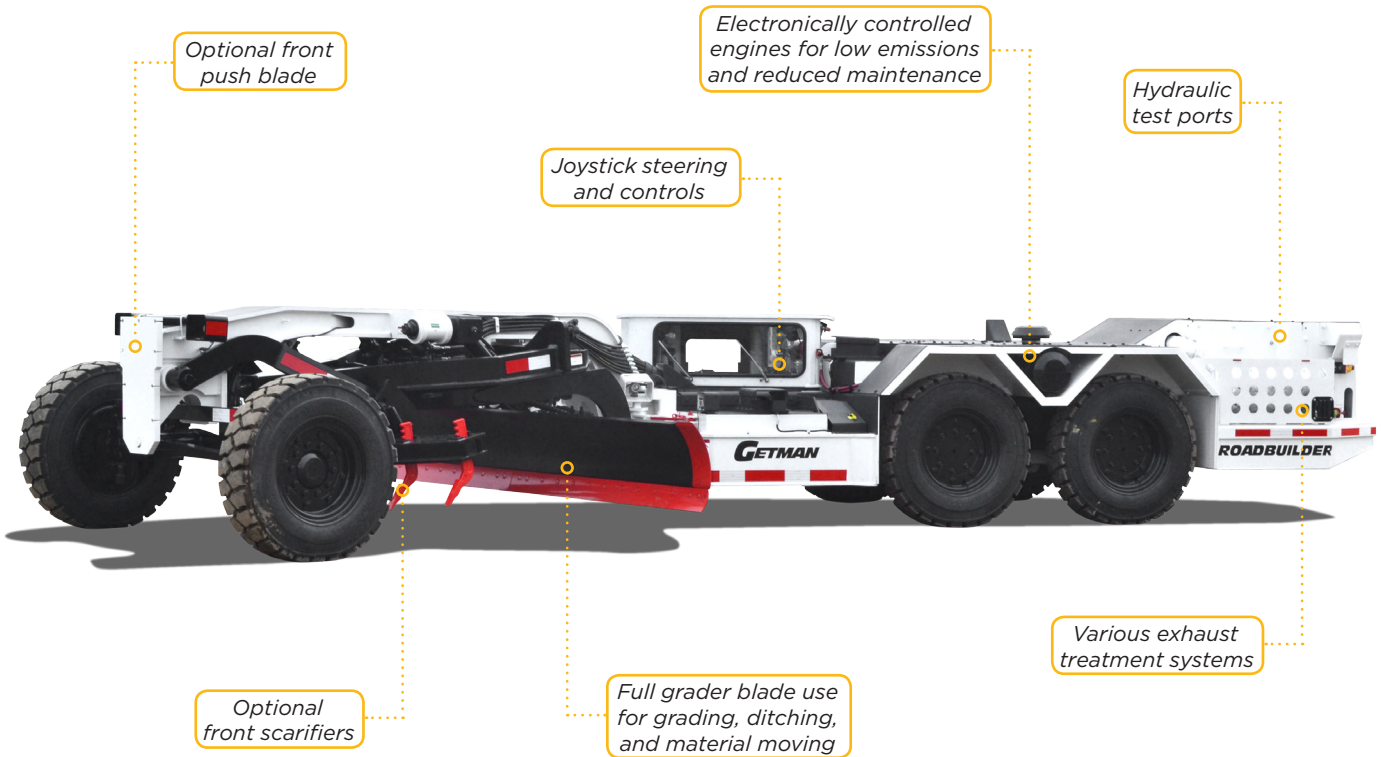
### **Grader Options**

- Blade with replaceable carbide bits
- Front scarifier with 7 shanks
- Rear hydraulic ripper with 6 shanks
- Front push blade

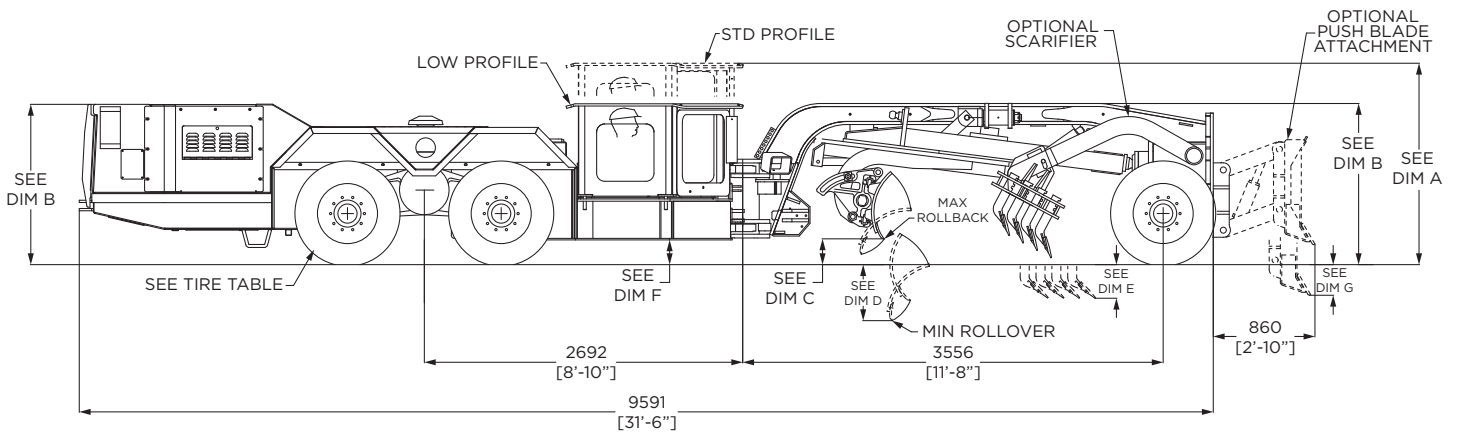
*\*Consult Getman for special configurations*

---

### Design Features and Layout



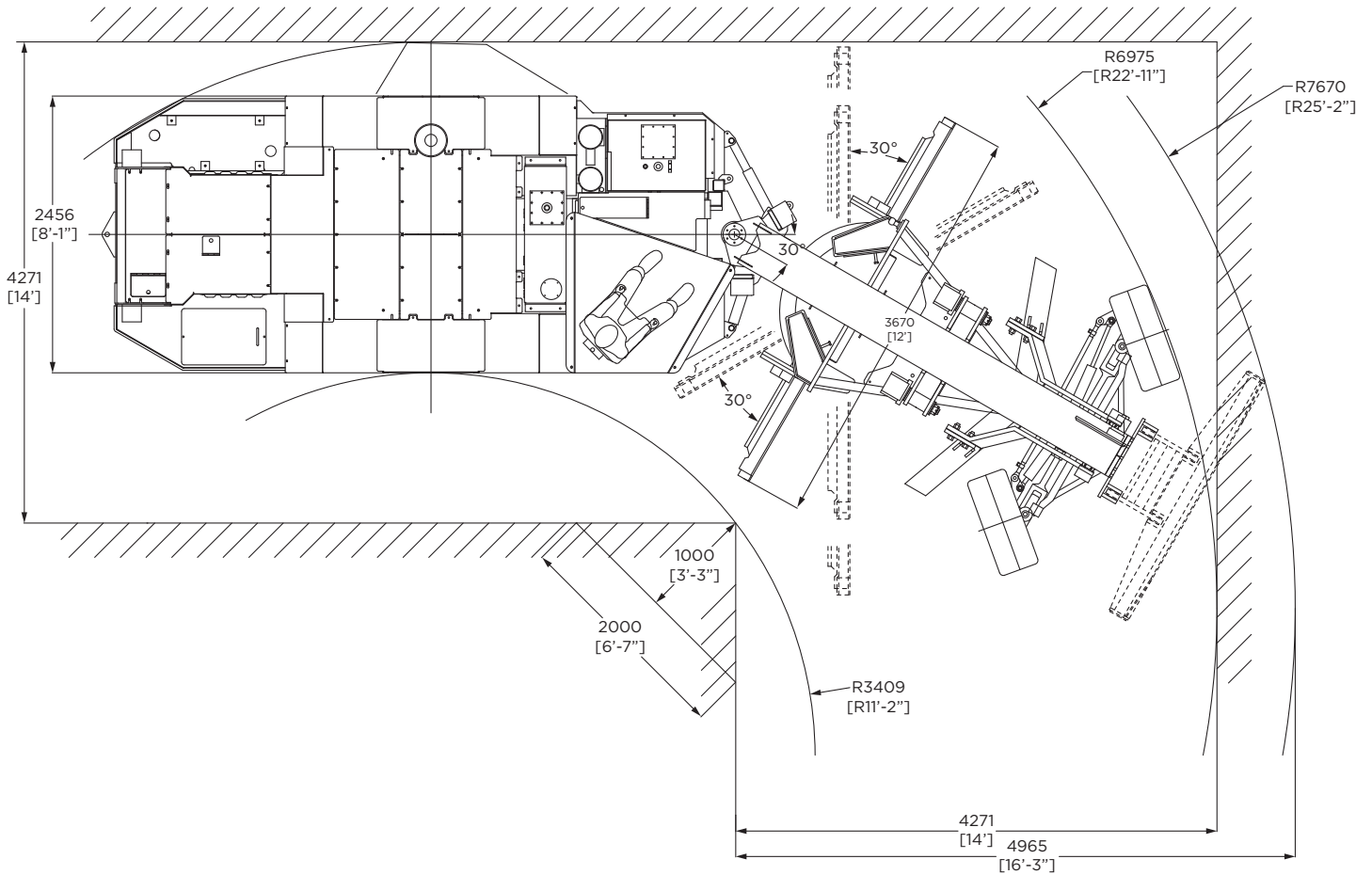
### Dimensions and Maneuverability



Machine Length	9591 mm	378 in
Wheelbase Length	6248 mm	246 in

Tires	Dim A - Canopy Height		Dim B	Dim C	Dim D	Dim E	Dim F	Dim G
	Low Profile	Std Profile	Machine Height	Blade Clearance	Blade Depth	Scarifier Depth	Ground Clearance	Front Blade Depth
35x15	1363 [53.675"]	1702 [67"]	1362 [53.625"]	216 [8.5"]	473 [18.625"]	244 [9.625"]	210 [8.25"]	254 [10"]
10x20	1435 [56.5"]	1775 [69.875"]	1435 [56.5"]	289 [11.375"]	400 [15.75"]	254 [10"]	283 [11.125"]	181 [7.125"]
12x20	1464 [57.625"]	1803 [71"]	1464 [57.625"]	318 [12.5"]	371 [14.625"]	225 [8.875"]	311 [12.25"]	152 [6"]

### Dimensions and Maneuverability



Machine Width (frame)	2456 mm	97 in
Machine Width (push blade)	3670 mm	144 in
Inner Turning Radius	3409 mm	134 in
Outer Turning Radius	6975 mm	275 in
Outer Turning Radius (with push blade)	7670 mm	302 in

## **About Getman Corporation**

Getman Corporation is a global supplier of mobile equipment to the mining industry, offering customer-specific solutions to underground mines in the production and production support classes of equipment. All Getman equipment is designed with extensive research and development and is supported by over fifty years of experience in serving the underground mining industry.

Through our network of distributors we sell and support our products on six continents, offering exceptional product solutions and following up with world class aftermarket support. At Getman Corporation, designing and building trucks for the underground mining industry is what we do. We take pride in being the preferred supplier of underground production and production support equipment to miners globally by offering customer-specific, value-driven and long-lasting solutions.

For more information contact your Getman distributor or email us at [info@getman.com](mailto:info@getman.com), or visit our website at [www.getman.com](http://www.getman.com).

For parts or service support, email us at [parts@getman.com](mailto:parts@getman.com) or [service@getman.com](mailto:service@getman.com).



*Getman Corporation assembled this datasheet with the intention of passing along the most accurate information possible, however this document shall not be binding in any way and shall be considered informational only. All values stated herein are theoretical in nature. All orders are accepted based on the terms and conditions set forth in the individual purchase or sales agreement. Getman reserves the right to make changes to the specification herein at any time and without further notification.*

*Pictured machines in this document may contain optional and additional equipment.*