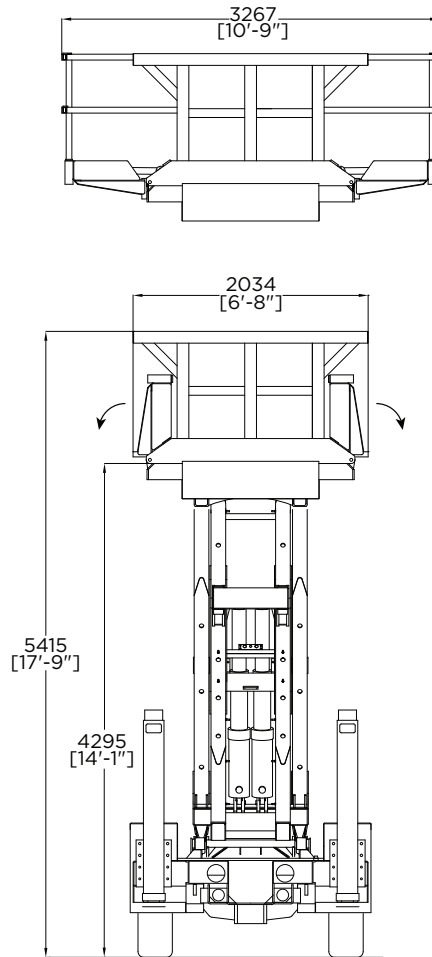
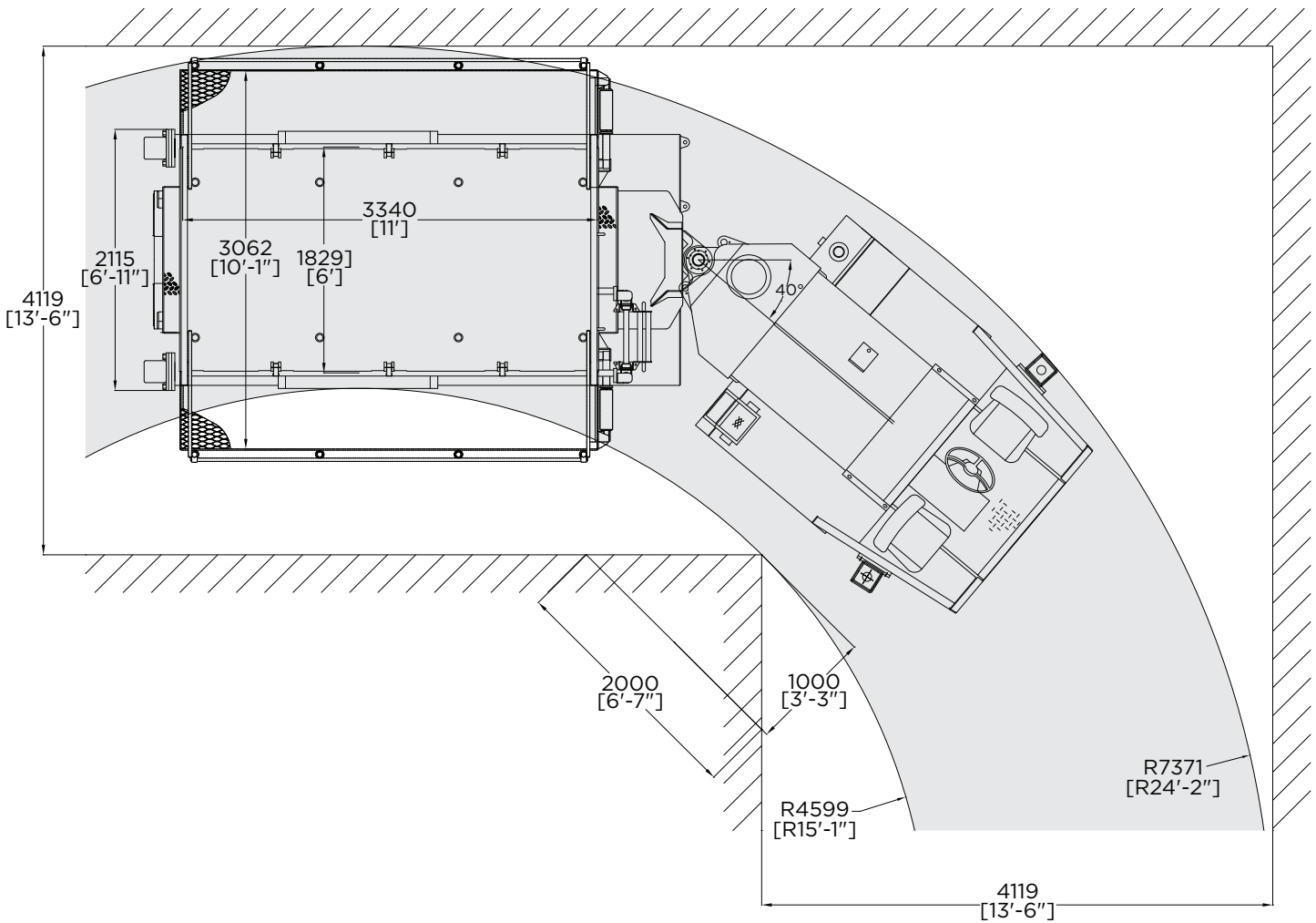


Machine Length	7911 mm	311 in
Wheelbase Length	4268 mm	192 in
Ground Clearance	311 mm	12.25 in
Machine Height (Canopy)	2292 mm	90 in
Machine Height (Top of Platform)	2492 mm	98 in



Extended Platform Height	5415 mm	213 in
Extended Platform Floor Height	4295 mm	169 in
Platform Width (Wings Folded)	2034 mm	80 in
Platform Width (Wings Extended)	3267 mm	129 in



Machine Width	2115 mm	85 in
Machine Width (with Side Stabilizers)	2404 mm	95 in
Platform Width (Inner - Wings Folded)	1829 mm	72 in
Platform Width (Inner - Wings Extended)	3062 mm	121 in
Platform Length (Inner)	3340 mm	132 in
Inner Turning Radius	4599 mm	162 in
Outer Turning Radius	7371 mm	290 in

This document shall be considered informational only. All values stated herein are theoretical in nature. Getman reserves the right to make changes to the specification herein at any time and without further notification.